

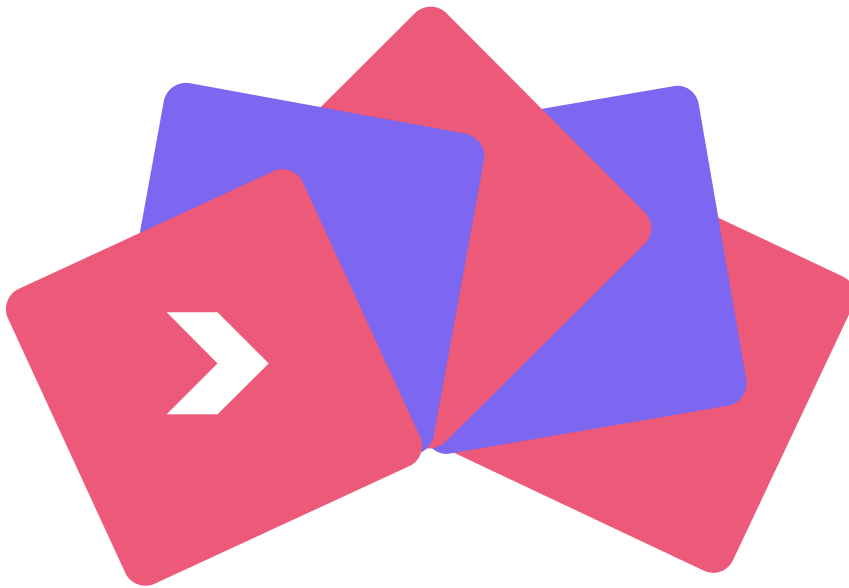


2022

P3.9 Outdoor Rental Screen

By Ruby@Kingvisionled

Contents



- Product Parameters
- Product Features
- More Details
- Assembly & Operation
- Application Projects

500x500mm Panel Size

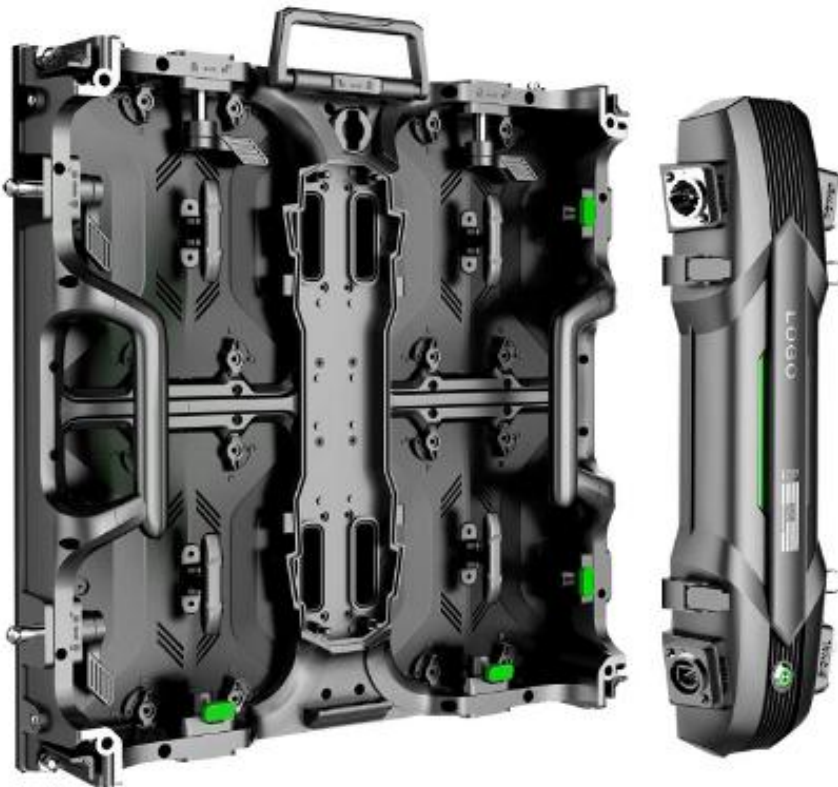




Specification

Outdoor Rental led screen specification		
Pixel	3.91mm	4.81mm
LED Encapsulation	SMD1921	SMD1921
Brightness	4500-5500nit	5500nit
Cabinet Size	500×1000×80 /500x500x80	500×1000×80 /500x500x80
Material	Die Casting Aluminum	Die Casting Aluminum
Scan Method	1/16 Scan	1/13 Scan
Weight	8Kg	12.5Kg/ 8Kg
Cabinet Resolution	128x128dots	104x208dots/104x104dots
Module Size(mm)	250x250	250×500/250x250
Pixel Density	65536 Pixel/m²	43264 Pixel/m²
Refresh Frequency	≥3840Hz	
Viewing Angle	140/140	140/140
Working Voltage	110-220Volt/50/60hz	110-220Volt/50/60hz
IP waterproof	IP65	IP65
Optimal Viewing Distance	≥ 3m	≥ 4m
Working Temperature	- 20~40℃	-20~45 ℃

Product Features



HUB Board

- * Without wires connection, signal and power can transfer more stable and reliable.
- * HUB board connect modules and power supplies directly instead of wires.
- * Directly take out back cover, easy to change within 5 seconds.

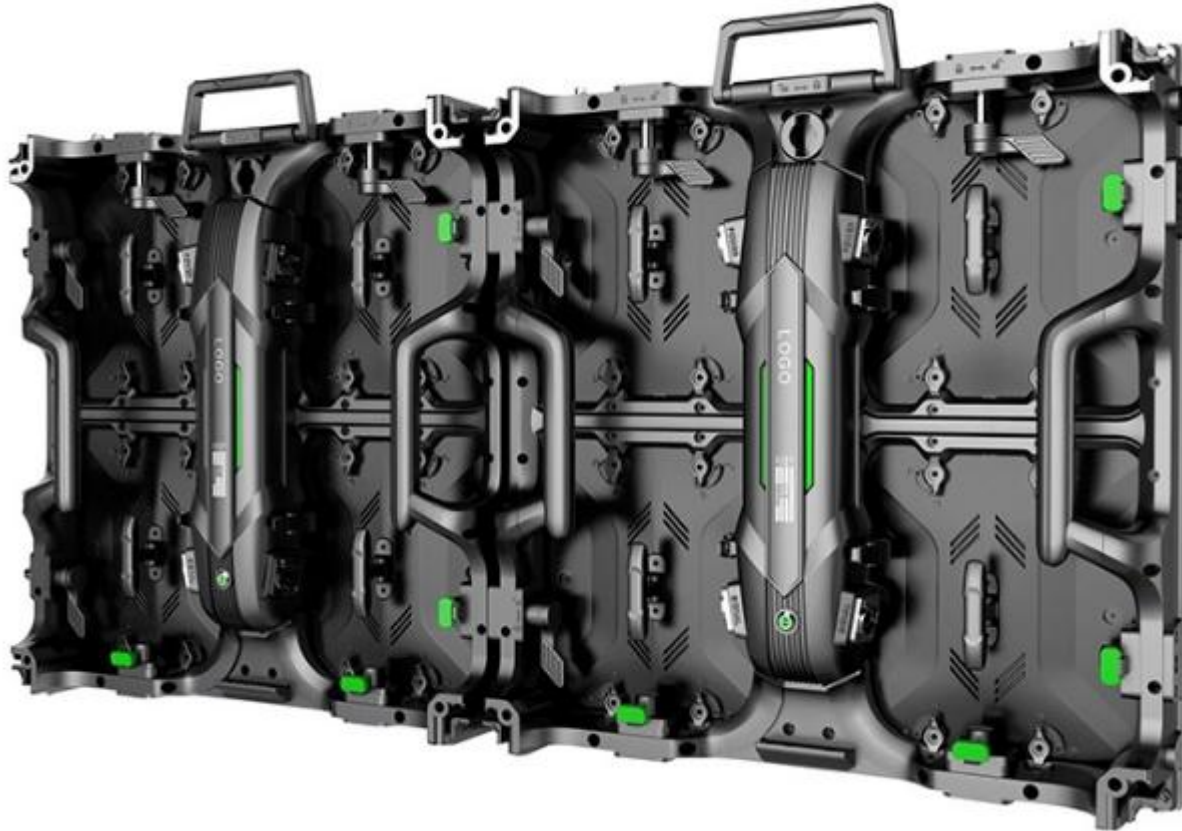
Product Features

Maintenance

- * Front and rear maintenance available.
- * Faster and easier to install and disassembly.
- * Magnetic suction installation, simple and quick maintenance for various installation environment, improve work efficiency.
- * Die casting aluminum panel.

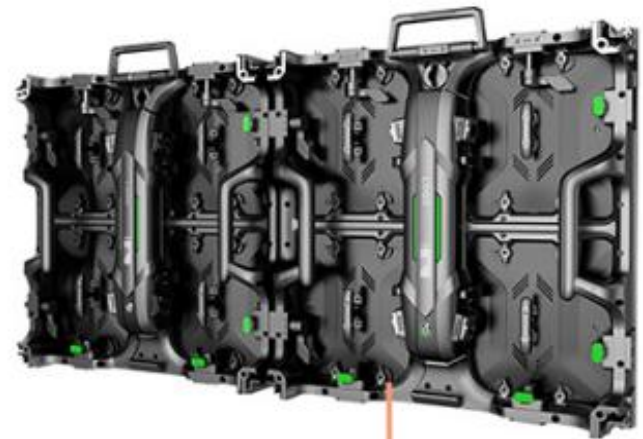
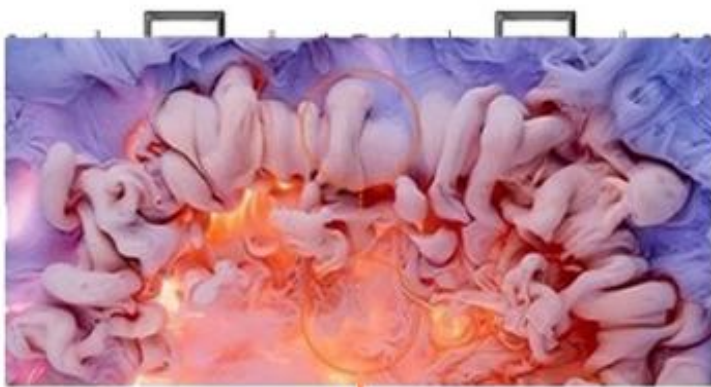


More Details

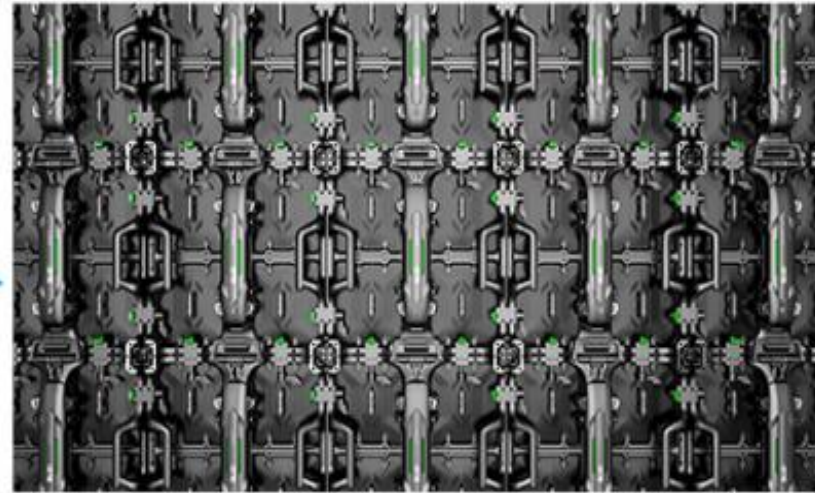
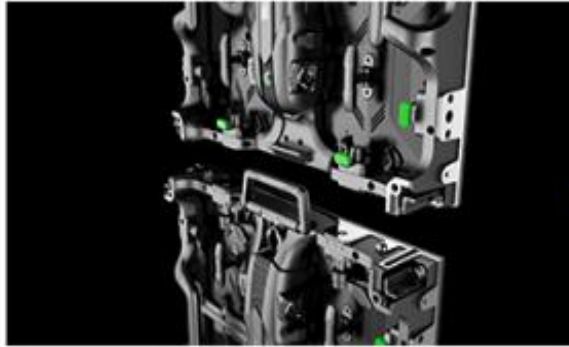


- * High degree of protection, high durability.
- * Common good, flexible and easy to use.

Seamless Splicing

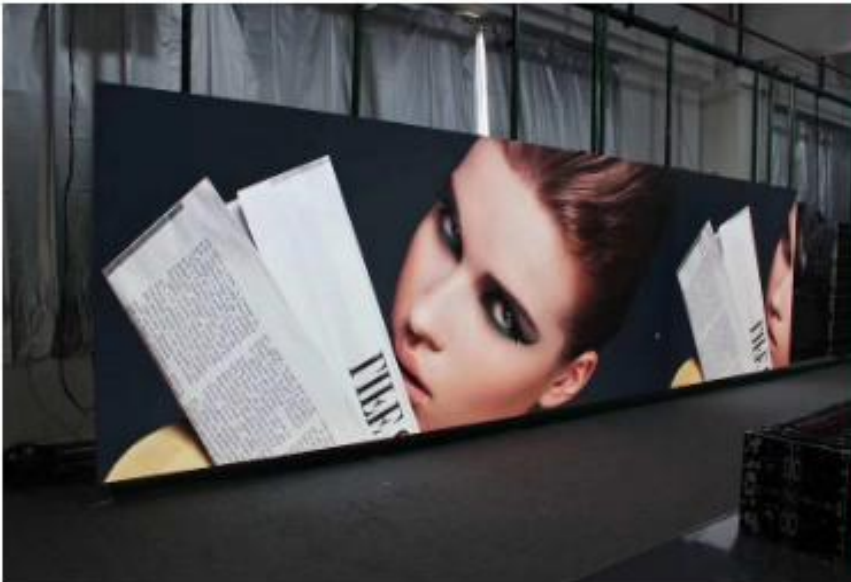


Seamless side locks



LED Display Test

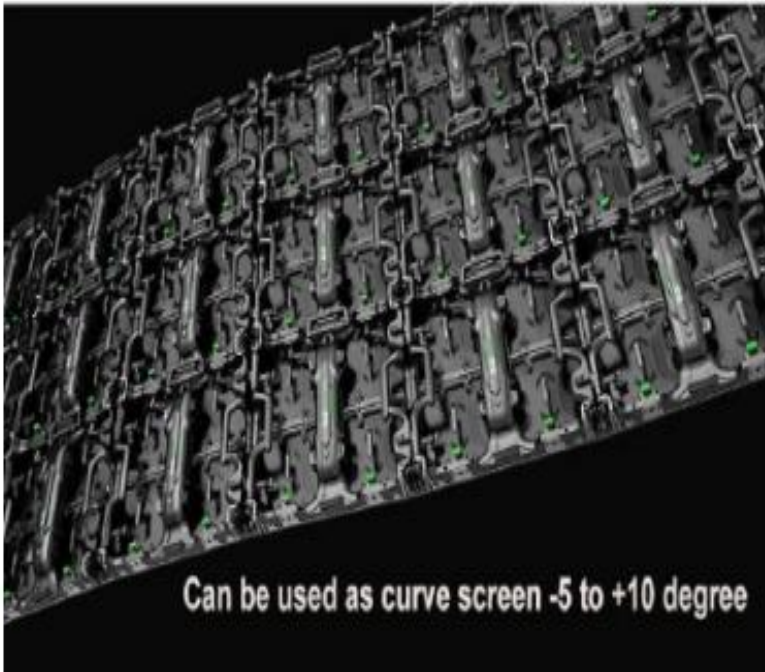
Each product tested more than 72 hours before shipment.



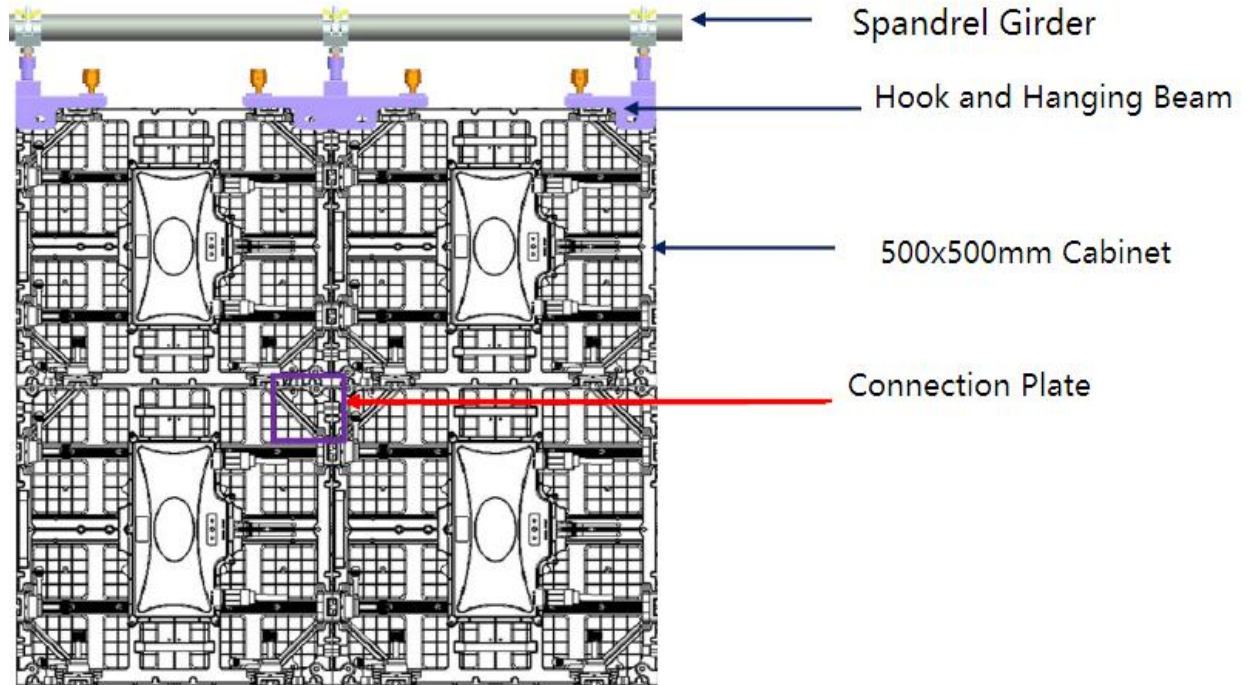
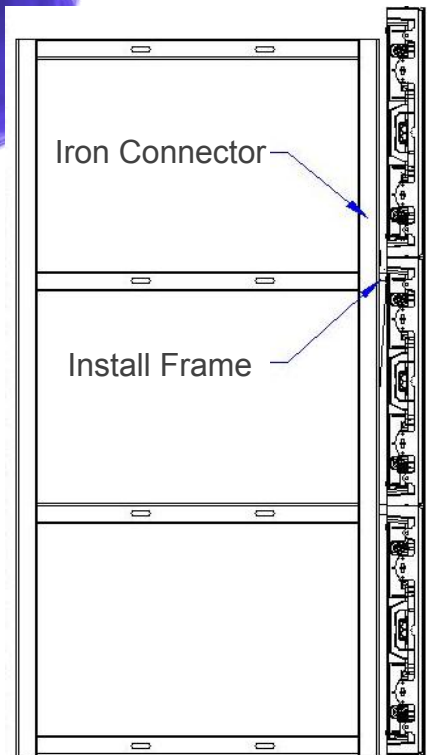


It can used as curved screen

It can used as curved screen Can be used as curve screen -5 to +10 degrees.



Assembly & Operation



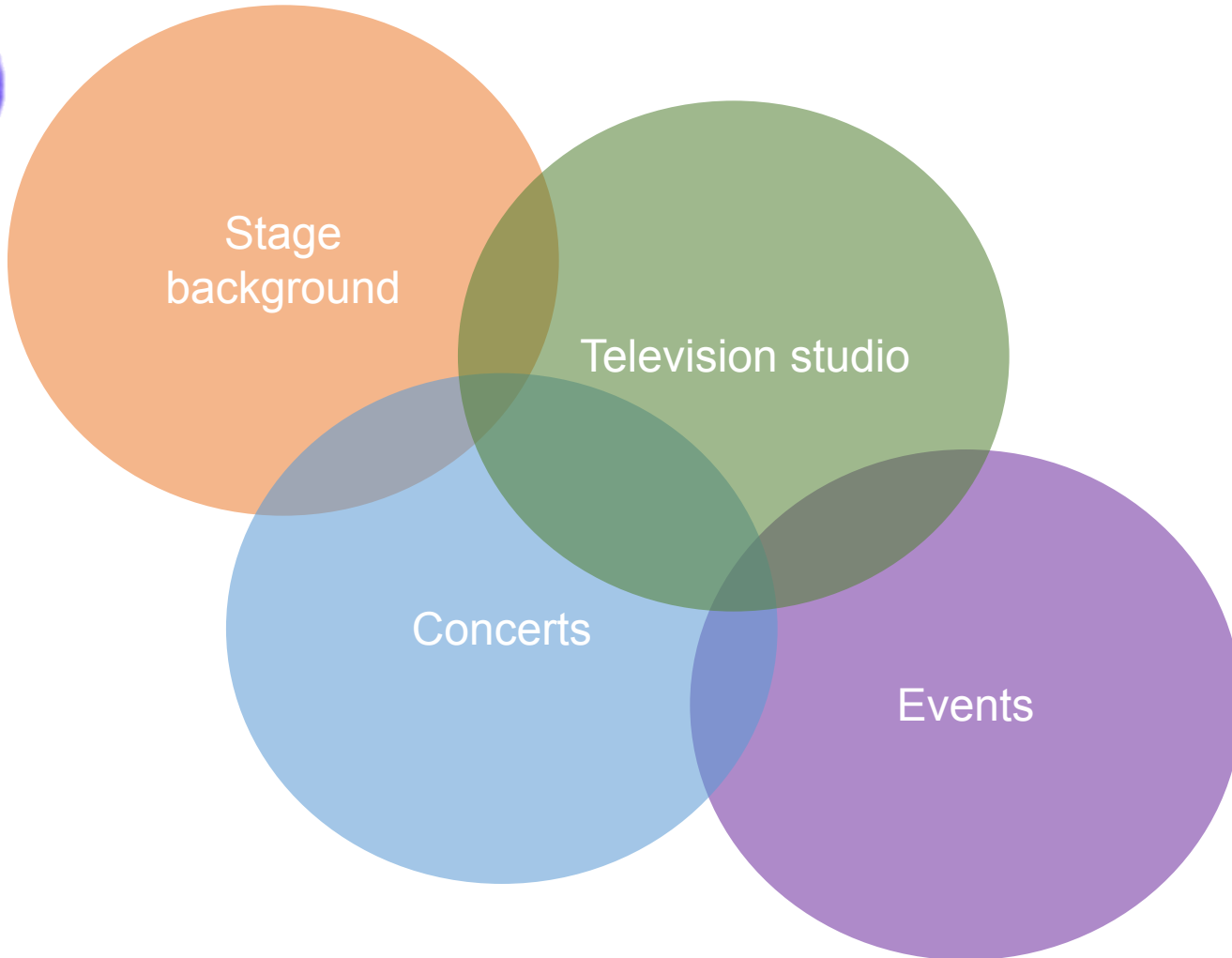
Ground standing and hanging Installation

Assembly Project Shows



Hanging and ground standing installation

Applications



Applications



•P2.9 Indoor LED screen 48 square meter in Indonesia

Applications



- P3.9 Indoor LED Screen 36 Square Meter In Thailand

Applications



- P3.9 Outdoor LED Screen 12 Square Meter In Indonesia

Applications



- **P3.9 Outdoor LED Screen 18 Square Meter In Indonesia**

Applications



•P2.9 Indoor LED Screen 24 Square Meter In Malaysia

Applications



- **P3.9 Indoor LED Screen 32 Square Meter In Malaysia**



Thank You For Your Time.

KingVisionledn is looking forward to serve you.